

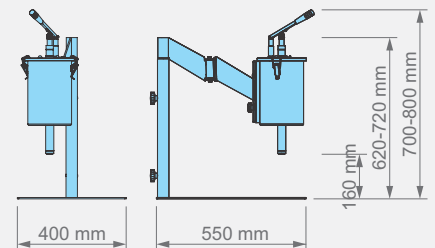
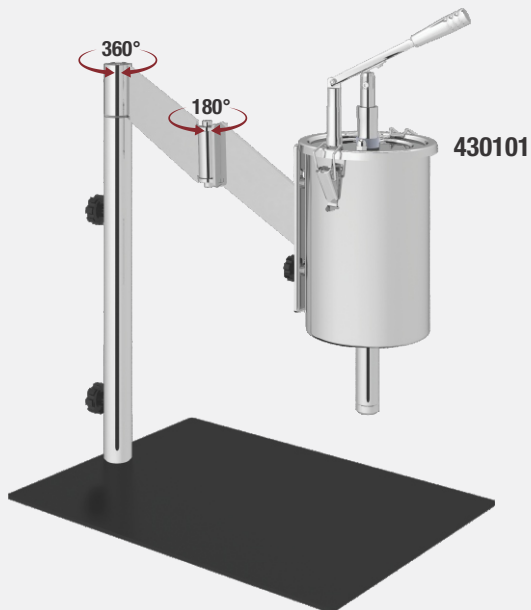
Technical Specification 430101

Lever Dispenser with Filling Nozzle

Lever dispenser with filling nozzles makes it easy for filling of custard donuts and croissants and pastry products.



Waffle Batter Dispenser



Item Nr / Code	Product Name	Dimensions	Weight	Capacity	Dosage
430101	KD-025 WAFFLE BATTER DISPENSER	400 x 550 x 700-800 mm (h)	16,90 kg	4,5 l	35 ml (± 5)