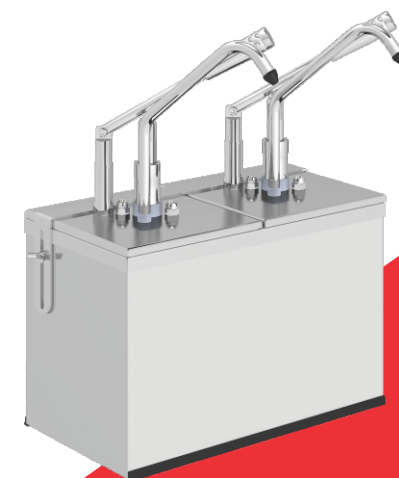
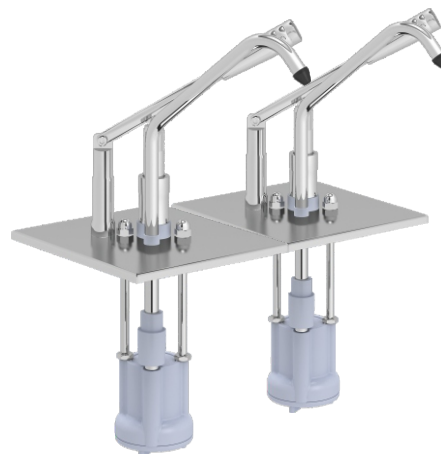


## Parts List 210101

Gastronorm Lever Dispenser  
with GN 1/6 200 Container  
Set 2 Holder



**160102**  
Gastronorm  
Lever Dispenser Unit  
GN 1/6



**160103**  
GN 1/6 200 Container



**210102**  
210101 / Set 2 Holder

